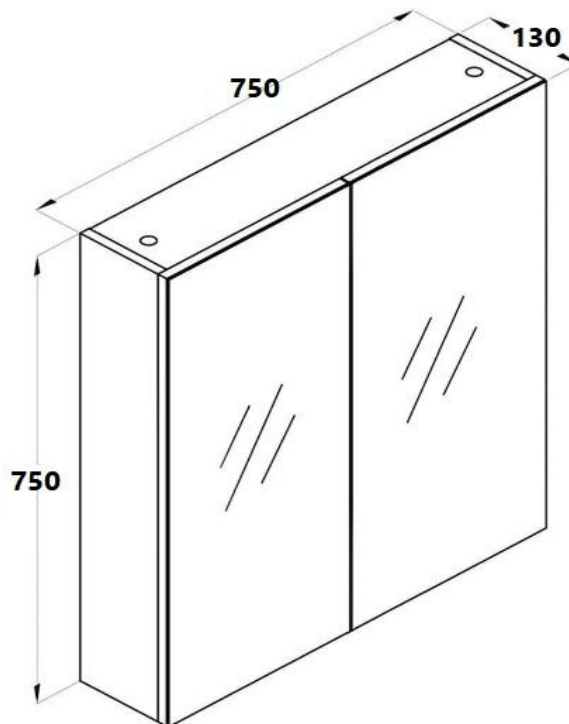


# 750mm Mirror Cabinet



**Measurements:** 750 x 750 x 130mm  
**Weight:** 20KG



SPECIFICATIONS

#### **CLEANING & MAINTENANCE:**

Cabinets should be cleaned with a damp, soft cloth  
Avoid using waxes, solvents, abrasives, acids and other chemical based cleaners  
Warranty will be void if damages are caused by unsuitable cleaning products  
Spills should be cleaned immediately to prevent damage or discolouration

#### **WARRANTY INFORMATION:**

Cabinet Structure - **5 Years**  
Hinges/Hardware/Labour: **1 Year**  
Mirror & Mirror Panels: **1 Year**

**\*Measurements subject to change due to manufacturing variations. Always use Physical Product for Roughing-In\***

**ZENIMO**  
Zen-inspired, Modern Living

**ADDRESS:** 42 Castro Way, Derrimut VIC 3026

**PHONE:** (03) 8390 6300

**OFFICE:** [ect\\_sales@outlook.com](mailto:ect_sales@outlook.com)

**SERVICE:** [ect\\_service@outlook.com](mailto:ect_service@outlook.com)

**WEBSITE:** [www.zenmo.com.au](http://www.zenmo.com.au)